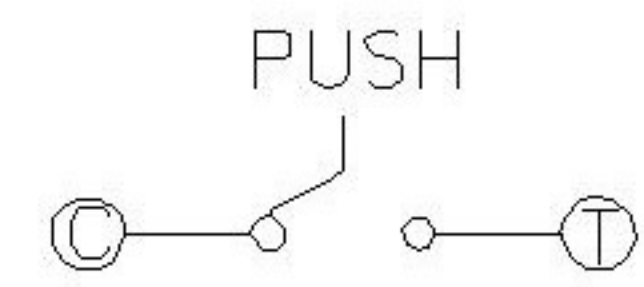


TER	ANG	0° (NO)			
		(20°)	(15°)	(15°)	(20°)
①					
②					
③					

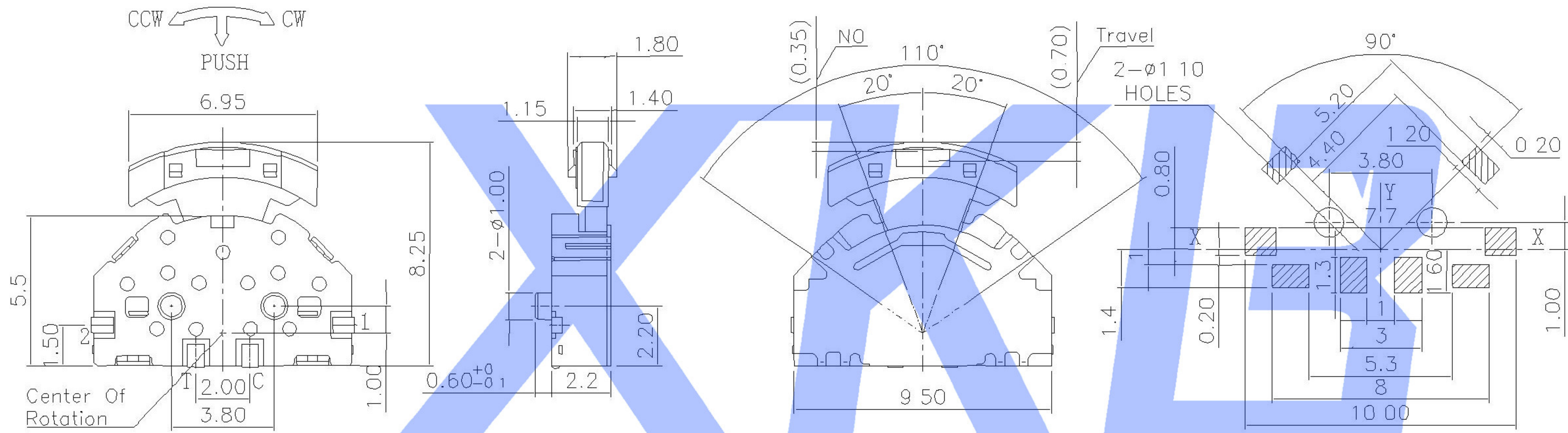
CCW ————— CW

CODE TABLE

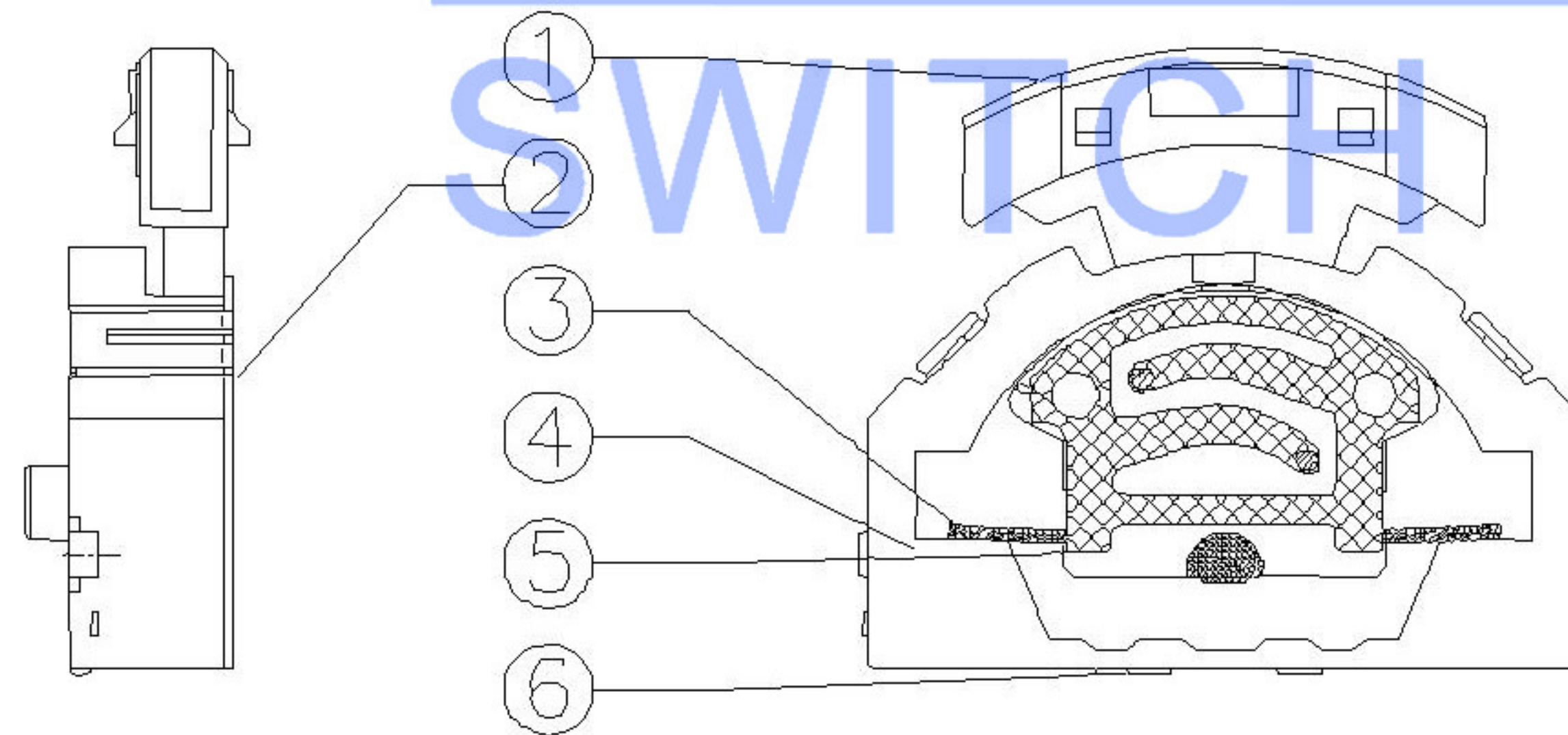


Circuit Diagram

NOTE:  
Operating Force.  
lever portion 100 ± 30 gf  
Push portion 205 ± 50 gf



P C B Mounting  
Pattern Dimension



ITEM	PART NAME	TER'NO.	QTY.	MATERIAL	FINISHING	REMARK
⑥	Contact		1	F Ag/Brass		
⑤	Terminal		4	Brass(0.15t)	Plating silver	
④	Base		1	Nylon	Black	
③	Spring		1	SUS		
②	Cover		1	SUS	White	
①	Keystoke		1	Nylon	Black	

REVISIONS					UNSPECIFIED TOLERANCES	DSND	DATE	SCALE: N/A	MODEL TYPE: MULTIFUNCTIONAL SWITCHES		
ΔX					ANGLAR		DATE	VIEW:	PART NO.:		
ΔX					L ≤ 4	±5°	DATE	UNIT: mm	DWG NO.: <b>TM-2024</b>		
ΔX					4 < L ≤ 16	±0.2	DATE	SIZE: A4	WEIGHT	SHEET	REVISION
MARK	DESCRIPTION	DATE	REVISED	APPROVED	16 < L ≤ 63	±0.3	DATE		1.0g	1/1	A0
					L > 63	±0.4	DATE				
									<b>XKB INDUSTRIAL PRECISION CO., LIMITED</b>		