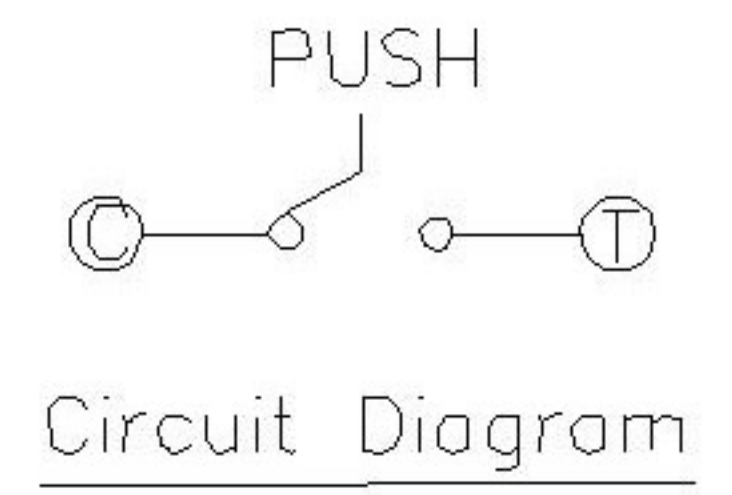


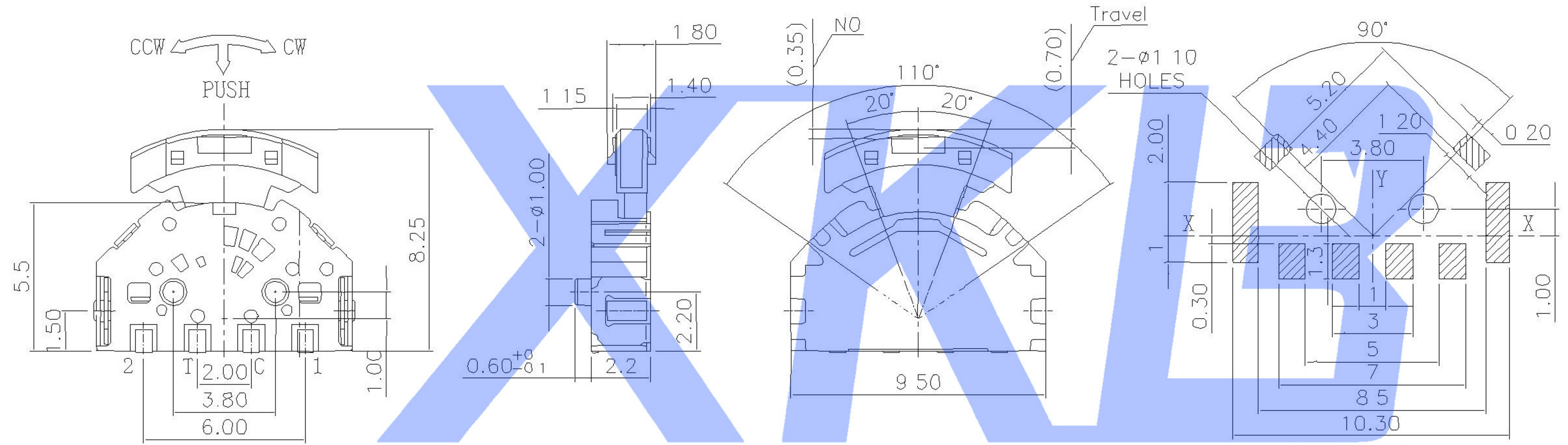
TER	ANG	0° (Hatched=NO)			
		(20°)	(15°)	(15°)	(20°)
①					
②					
③					

CCW ————— CW

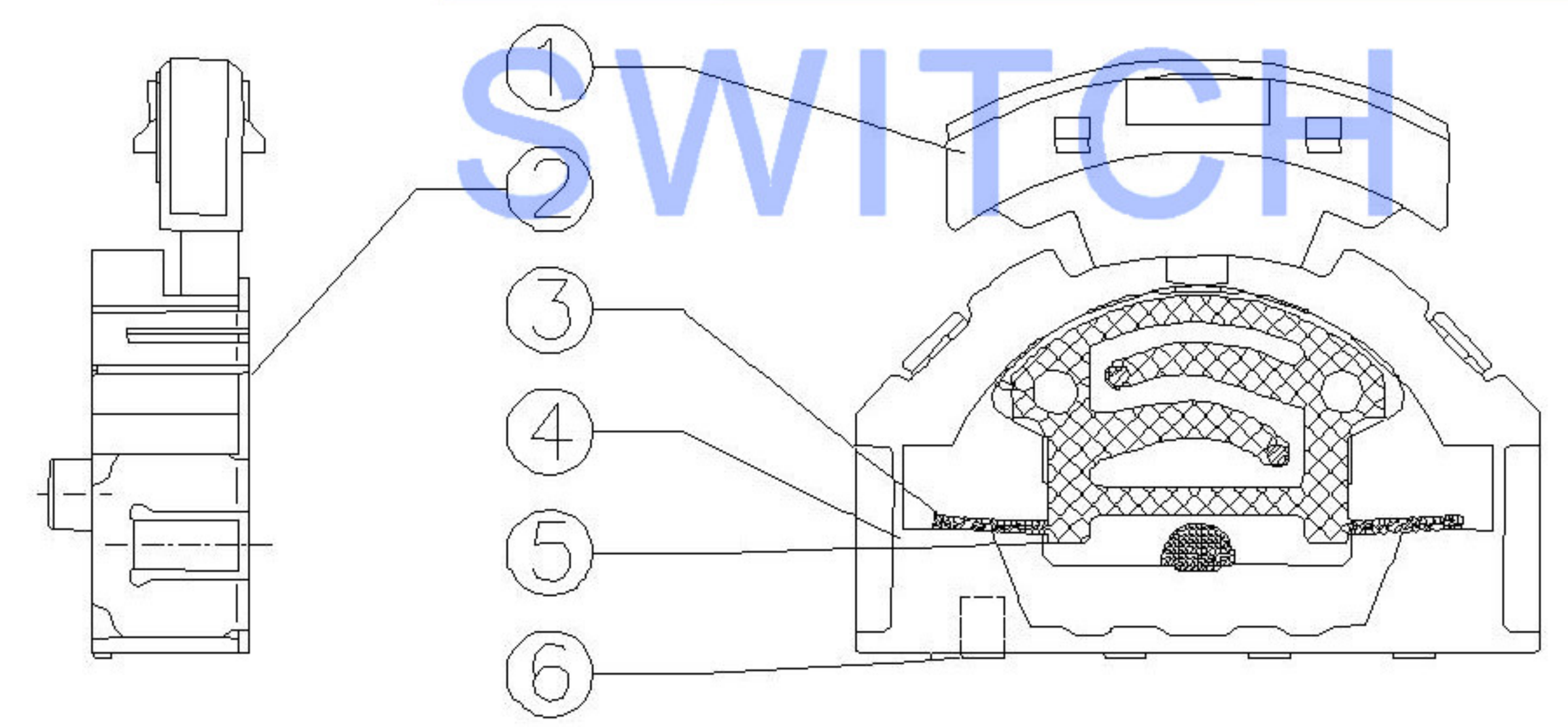
CODE TABLE



NOTE:  
 Operating Force.  
 lever portion 100 ± 30 gf  
 Push portion 205 ± 50 gf



P C B Mounting  
 Pattern Dimension



ITEM	PART NAME	TER'NO.	QTY.	MATERIAL	FINISHING	REMARK
⑥	Contact	—	1	F.Ag/Brass	—	—
⑤	Terminal	—	4	Brass(0.15t)	Plating silver	—
④	Base	—	1	Nylon	Black	—
③	Spring	—	1	SUS	—	—
②	Cover	—	1	SUS	white	—
①	Keystoke	—	1	Nylon	Black	—

MARK	DESCRIPTION	DATE	REVISED	APPROVED	UNSPECIFIED TOLERANCES	DSND	DATE	SCALE: N/A	MODEL TYPE: MULTIFUNCTIONAL SWITCHES
Δx					ANGLAR ±5°	DWN	DATE	VIEW:	PART NO.:
Δx					L ≤ 4 ±0.2	CHKD	DATE	UNIT: mm	DWG NO.:
Δx					4 < L ≤ 16 ±0.3	APPD	DATE	SIZE: A4	TM-2025A
					16 < L ≤ 63 ±0.4				WEIGHT
					L > 63 ±0.5				SHEET
									REVISION
									A0

REVISIONS  
 www.xk-dg.cn www.helloxkb.com www.helloxkb.cn

XKB INDUSTRIAL PRECISION CO., LIMITED